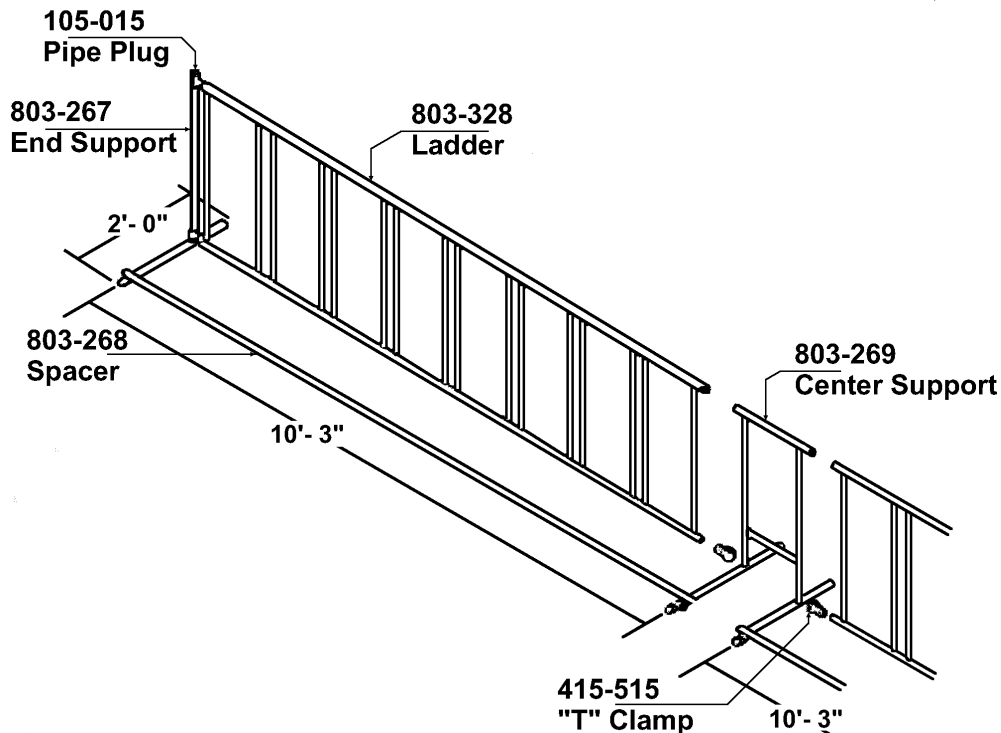


802-178 20' Single Entry Bike Rack (Port)

IMPORTANT

PLEASE READ THESE INSTRUCTIONS BEFORE COMMENCING ASSEMBLY. All equipment must be installed in accordance with these instructions. Check your shipment against Bill of Lading and Parts list. Any missing or broken parts must be reported to your distributor within 10 days of receipt of your order. When properly installed and maintained, equipment will give many years of Safe, Trouble-Free use. Periodically check for loose or broken parts. Loose bolts must be tightened and broken parts must be replaced as they can possibly create dangerous situations leading to unnecessary accidents. Resilient Surfacing should be used under all playground equipment. Appropriate publications, available at no charge, from the Consumer Product Safety Commission, include "A Handbook for Public Playground Safety". You can receive your free copy by calling 1-301-504-7908.



Main Frame, legs and spacers are 1 5/8" O.D. hot galvanized welded pipe with 3/4" O.D. hot galvanized ladder rungs. Spacing between tire posts is 3" center-to-center for small gap, 8 1/2" center-to-center for large gap.

<u>PACKING LIST</u>			<u>HARDWARE BAG</u>	
1	CTN	Hardware Bag	4	116-514
1	BDL	2 803-268 Spacer Bar	12	116-510
1	BDL	2 803-267 End Support	16	326-501
1	WF	1 803-269 Center Support	16	226-501
2	WF	2 803-328 Ladder	6 pr	415-515
			14	105-015
				5/16" x 3 1/2" Hex Bolt
				5/16" x 2 1/2" Hex Bolt
				5/16" Lock Washer
				5/16" Lock Nut
				1 5/8" T-Clamp
				1 5/8" Pipe Plug

1 CTN	2 BDLS	3 WF	6 TOTAL PCS	WT 150#	CLASS 70
-------	--------	------	-------------	---------	----------

802-178 20' Single Entry Bike Rack (Port)

Page 2
Rev 01/26/11

GENERAL ASSEMBLY INSTRUCTIONS:

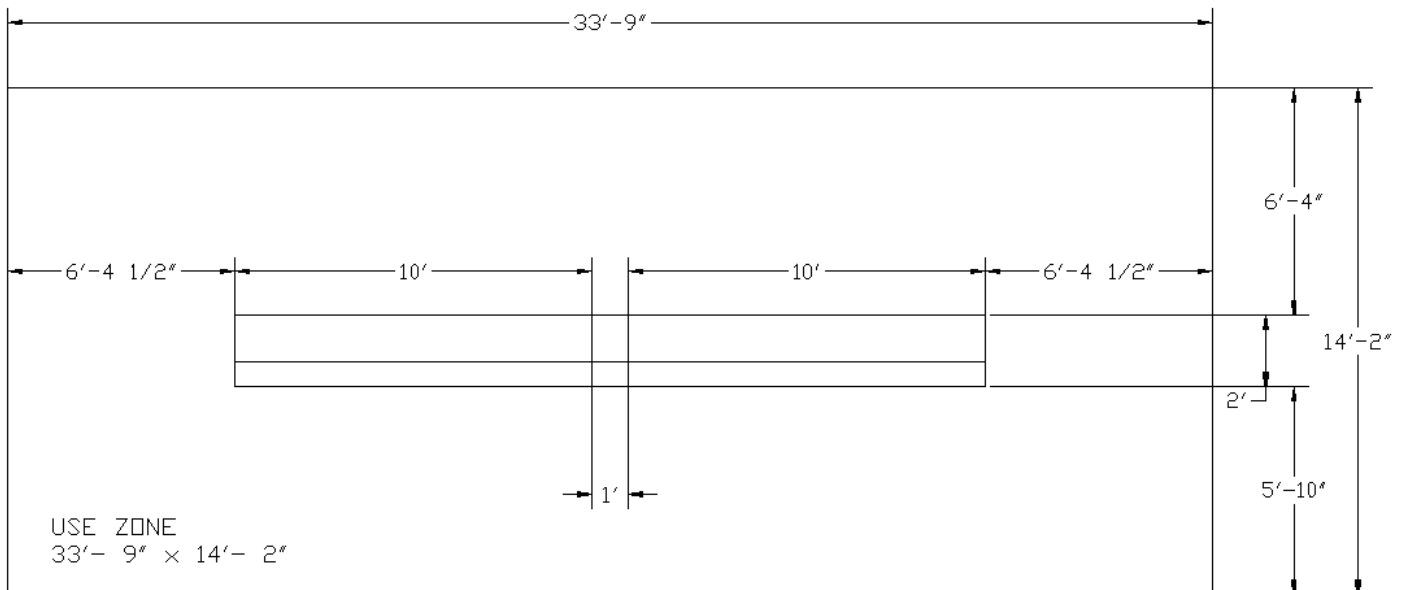
Check all the parts and hardware with the packing list too be sure you have received everything needed to assemble this product. CONTACT YOUR LOCAL DISTRIBUTOR WITH NOTIFICATION OF ANY MISSING OR DAMAGED PARTS. Contact must be made within ten days of receipt of your order.

Only hand-tighten nuts & bolts on initial assembly. Final tightening should be done **EVENLY** after final assembly when unit has been plumbed & leveled.

After assembly is complete, **ANY ENDS OF BOLTS PROTRUDING BEYOND NUTS SHOULD BE CUT OFF AND/OR PEENED OVER TO REMOVED ANY SHARP PROJECTIONS.** Go over entire unit to file smooth any sharp edges or projections that may have been caused by rough handling in shipping or installation. T-Clamps are designed for both one and two bolt connections. In many situations only one bolt is required. See specific assembly instructions.

On products with platforms install 1-2 degrees off level to facilitate water drainage.

USE AREA DIAGRAM:



802-178 20' Single Entry Bike Rack (Port)

GENERAL MAINTENANCE INSTRUCTIONS:

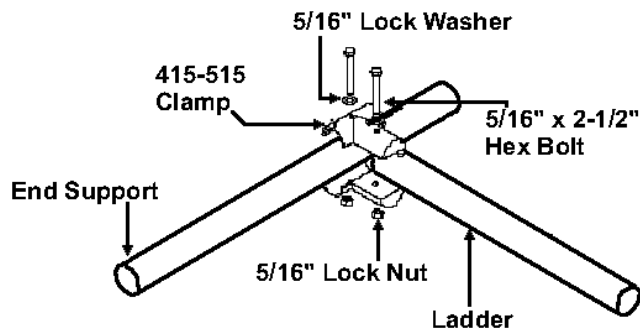
Check MONTHLY for loose bolts, damaged or broken parts. Tighten and/or replace immediately.

SPECIFIC ASSEMBLY INSTRUCTIONS:

- Step #1 Assemble bike rack as per drawing on page 1. Start by attaching #803-268 Spacer Bar to one end support and the center support.
- Step #2 Attach ladder to end supports using T-Clamps. The top of the center support slides over the top rail of the ladder. The bottom of the center support is attached with a T-clamp.
- Step #3 Attach other end of bike rack following same procedure.
- Step #4 Drive in pipe plugs on all open pipe ends.

End Support and Spacer Detail:

T-Clamp Detail:



End Support and Spacer Detail:

